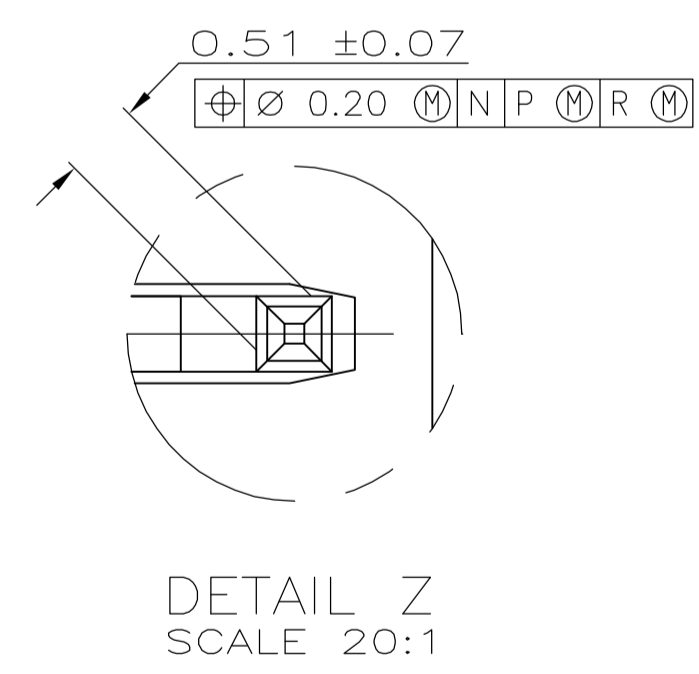
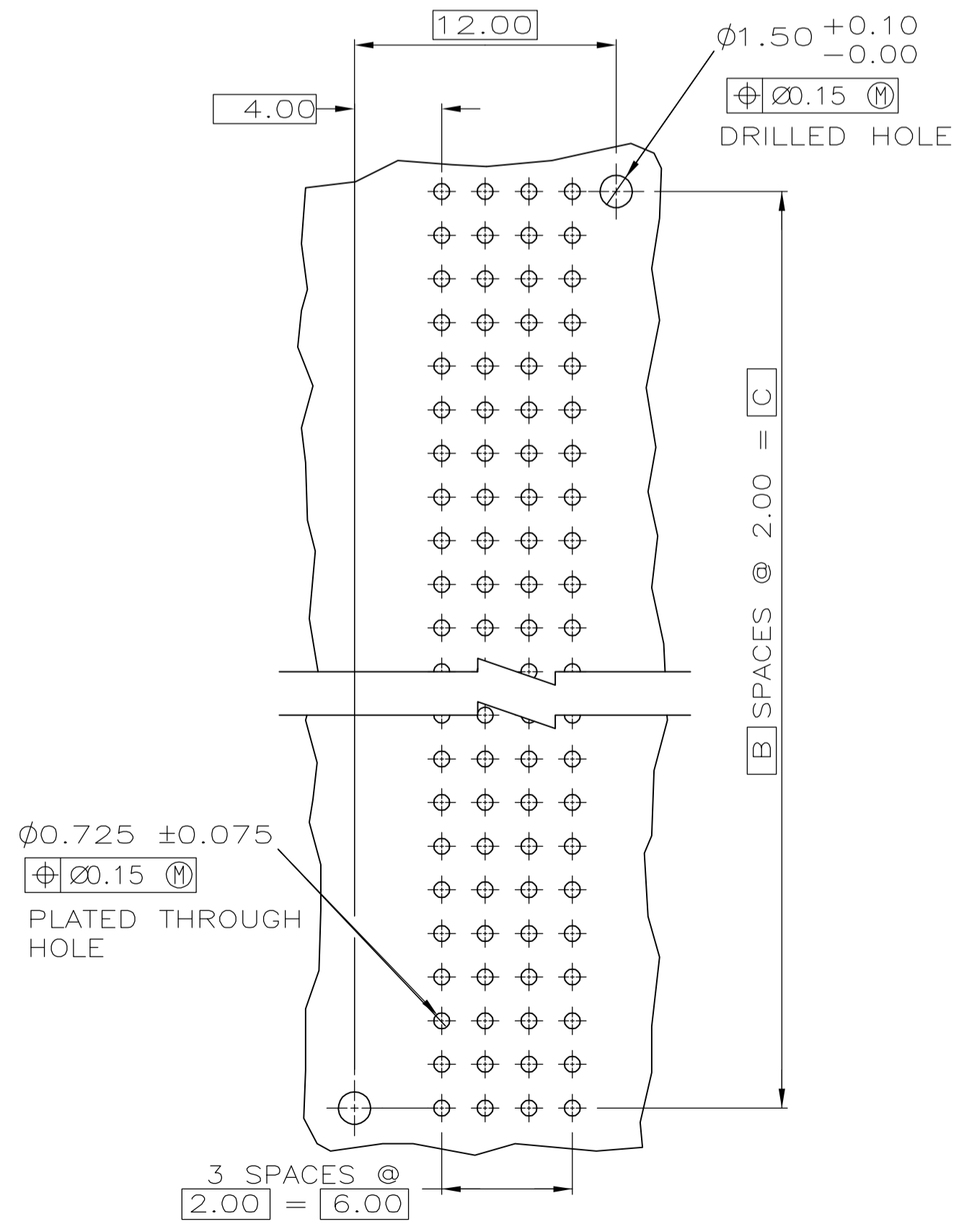
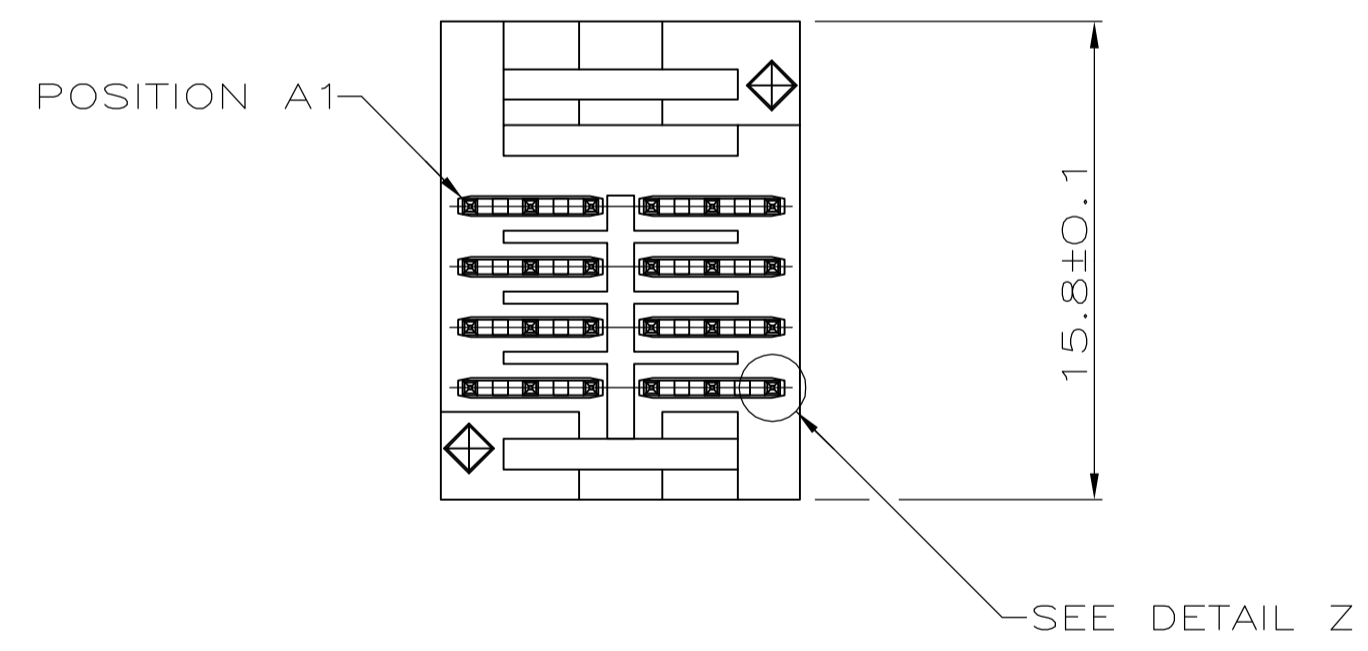
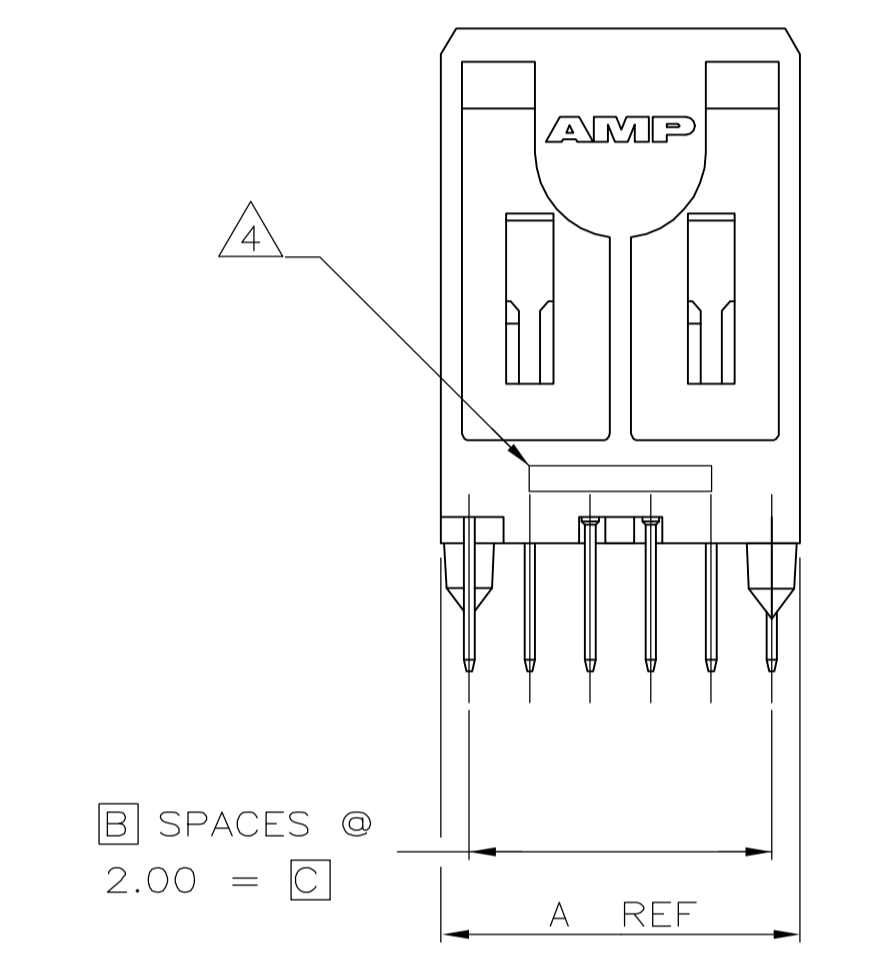
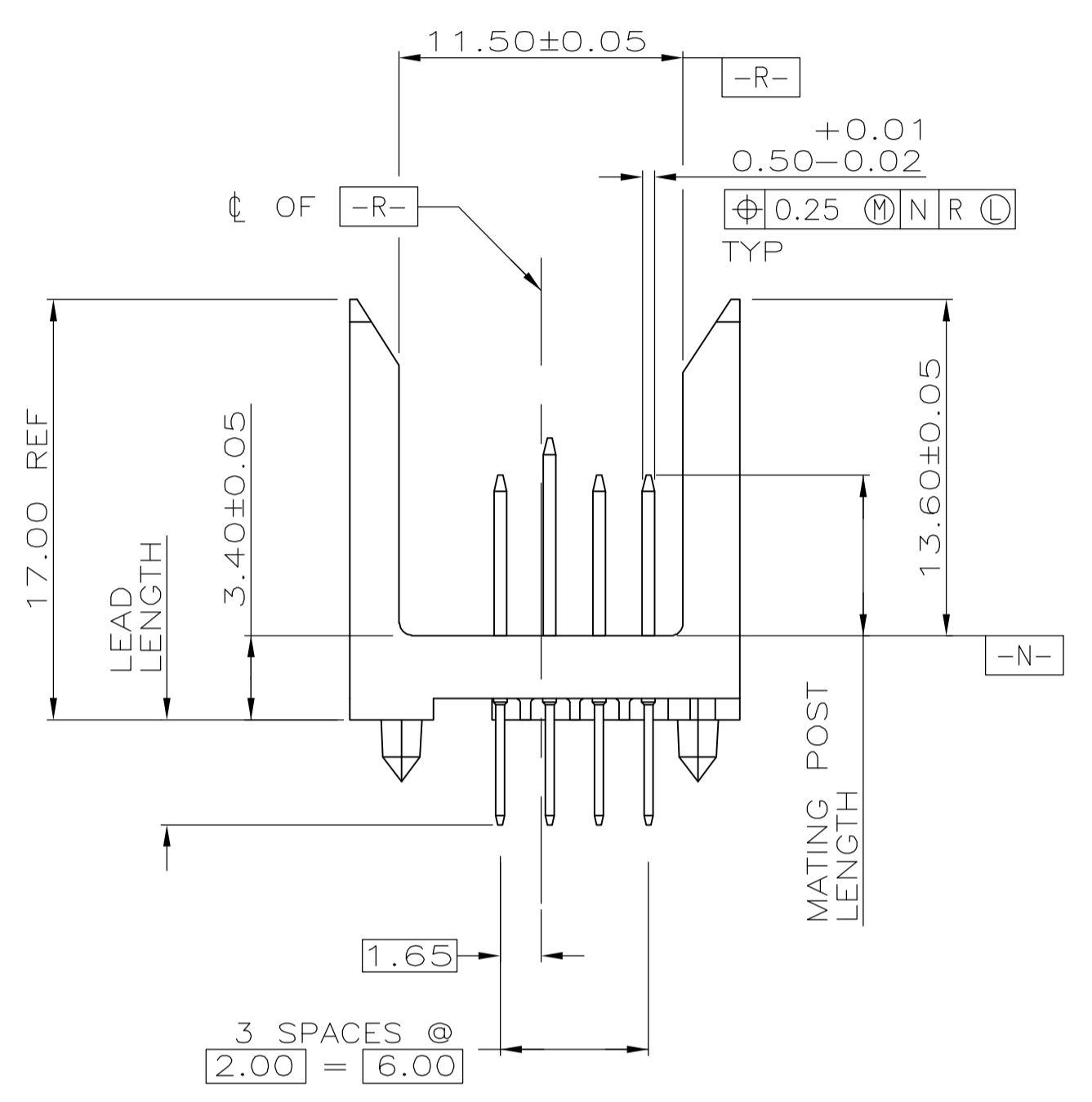
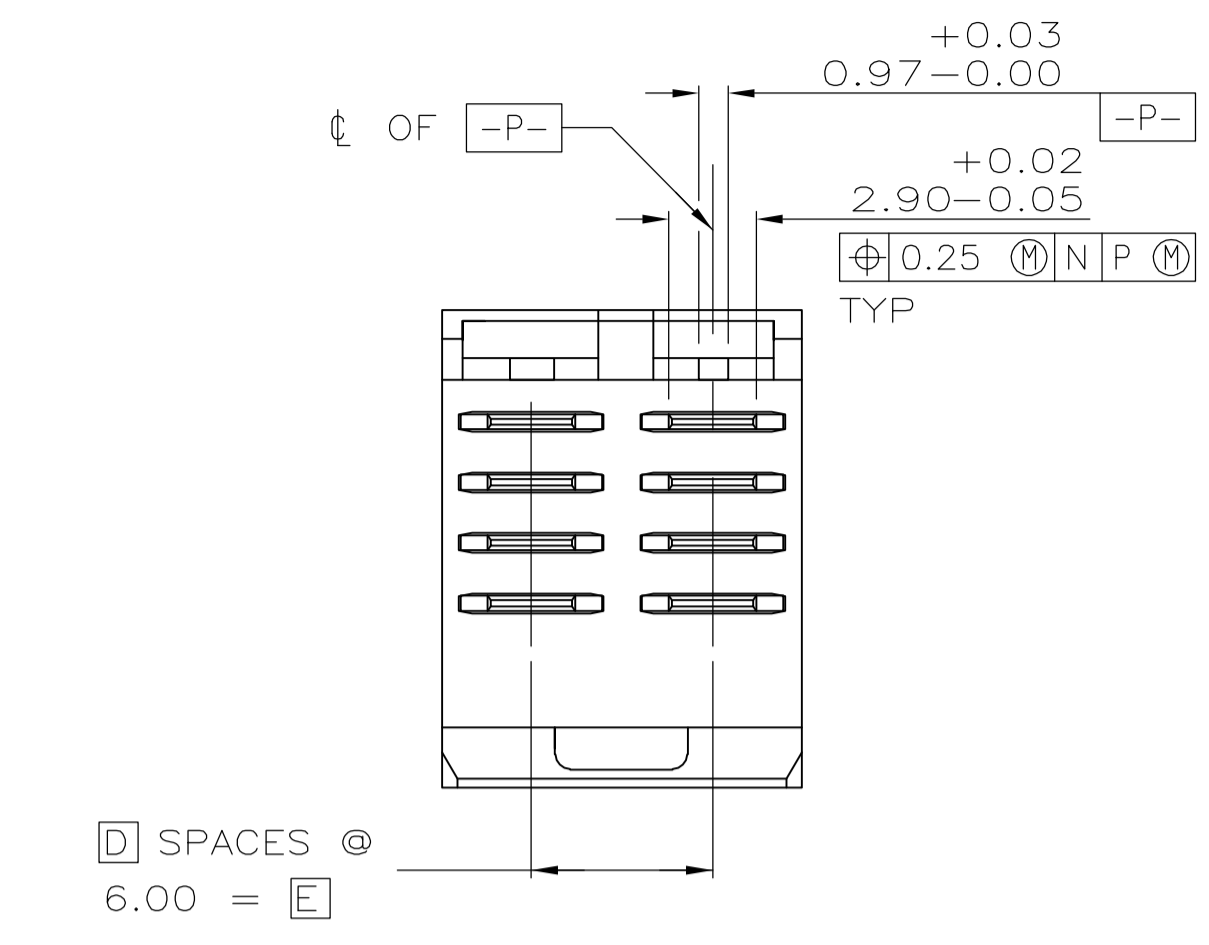


- ① HOUSING MATERIAL: LIQUID CRYSTAL POLYMER
COLOR: NATURAL.
- ② CONTACT MATERIAL: PHOSPHOR BRONZE PER UNS ALLOY NO. C51100, TEMPER: H04.
- ③ CONTACT FINISH:
UNDERPLATE (ENTIRE CONTACT):
0.00127 MIN NICKEL PER SAE-AMS-QQ-N-290
ON MATING SURFACES:
FLASH GOLD PER ASTM B 488, OVER
0.00076 MIN PALLADIUM-NICKEL OVER UNDERPLATE, OR
0.00076 MIN GOLD PER ASTM B 488 OVER UNDERPLATE.
ON LEADS:
0.00381 MIN TIN-LEAD OVER UNDERPLATE.
LUBRICATION (MIN MATING SURFACES)
SURFACE CONDITIONER AFTER PLATING.
- ④ PART MARKING LOCATED APPROXIMATELY AS SHOWN.



ROW	D	CA	CA
C	CA	CA	CA
B	CC	CC	CC
A	CA	CA	CA

1	2	3	4	5	6
POWER POSITION					

CODE LETTER	MATING POST LENGTH ±0.1	LEAD LENGTH (REF)
CC	8	4.25
CA	6.5	4.25

6	1	10	5	11.88	③	8	536627-1
E	D	C	B	A	FINISH	NO OF POWER POSN	PART NUMBER

THIS DRAWING IS A CONTROLLED DOCUMENT.		DIN R BUCHHEISTER 19/APR/96	Tyco Electronics Corporation Harrisburg, PA 17105-3608
DIMENSIONS: mm		CHK D BAECHTLE 19/APR/96	
TOLERANCES UNLESS OTHERWISE SPECIFIED:		APVD D BAECHTLE 19/APR/96	NAME ASSEMBLY, PIN, POWER, VERTICAL, Z-PACK 2mm FB, 4 ROW, SOLDER LEADS, SEQUENCED BY ROW
0 PLC ± -		PRODUCT SPEC	
1 PLC ± -		APPLICATION SPEC	SIZE
2 PLC ± 0.13[005]		WEIGHT	CAGE CODE
3 PLC ± -		REVISIONS	DRAWING NO
4 PLC ± -		CUSTOMER DRAWING	RESTRICTED TO
ANGLES ± -		A1 00779 C=536627	

SCALE 4:1 SHEET 1 OF 1 REV G

RECOMMENDED CIRCUIT PATTERN
 PER IPC-D300 TYPE II, CLASS C
 (COMPONENT SIDE)